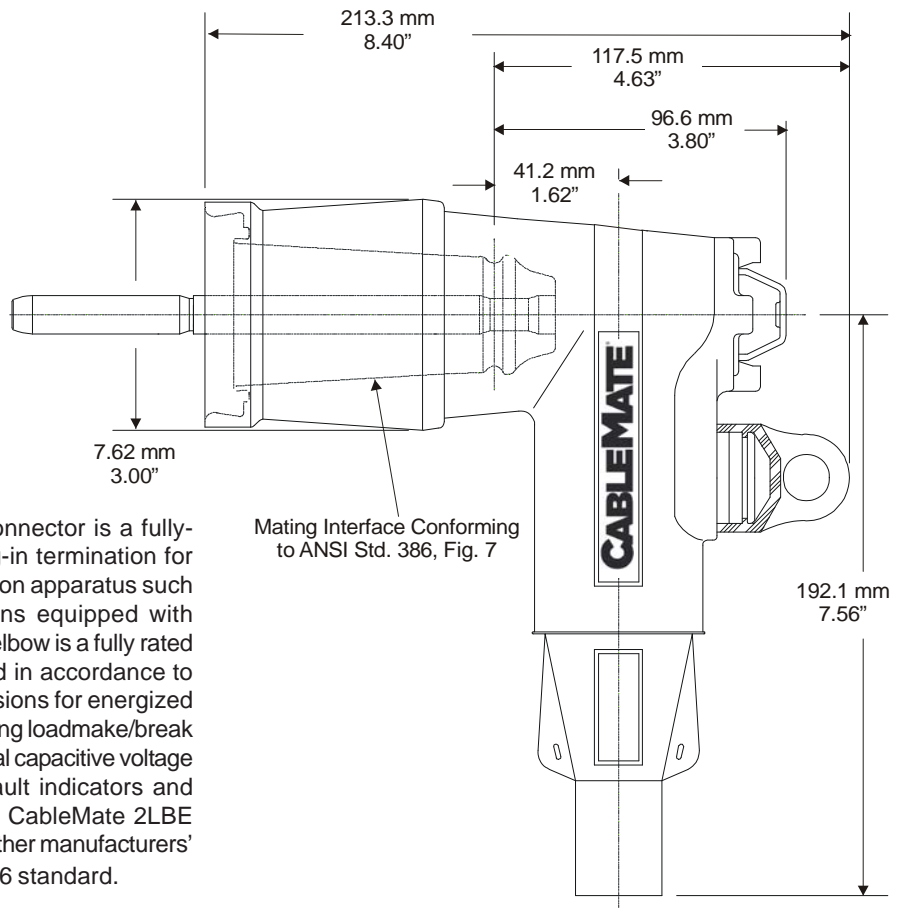




SPECIFICATION SHEET

Description
25kV 200A Loadbreak ConnectorProduct Series
2LBE**2LBE0: w/o test point**
2LBE1: w/ test point

The CableMate 2LBE loadbreak elbow connector is a fully-shielded, fully submersible, insulated plug-in termination for connecting underground cables to distribution apparatus such as transformers, switchgear, and junctions equipped with loadbreak bushings. The CableMate 2LBE elbow is a fully rated 25kV, 200 amp switching device, designed in accordance to the latest IEEE Std 386™. It includes provisions for energized operation using standard hotstick tools allowing loadmake/break operation and a visible disconnect. An optional capacitive voltage test point is available for application of fault indicators and determining if the circuit is energized. All CableMate 2LBE loadbreak elbows are interchangeable with other manufacturers' products that also comply with the IEEE 386 standard.

Applications

The 2LBE is designed for connecting to and operating 25kV Class, 200 Amp distribution apparatus. It provides a convenient method to connect/disconnect cable and equipment on power distribution systems. Designed for use on extruded (XLPE or EPR) solid dielectric cable, the 2LBE conductor range is from #2 solid, 260 mil to 4/0 stranded, 345 mil copper or aluminum conductors with insulation diameters from 0.370" to 1.060" with only four elbow housing sizes.

Features

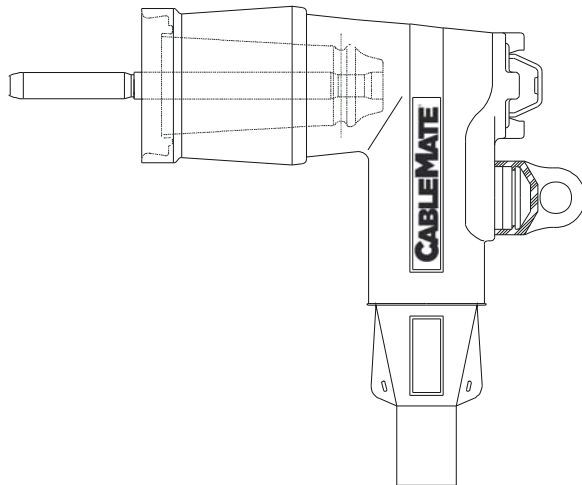
- 25kV, 200 Amp loadbreak elbow with a standard interface for connecting to 25kV, 200 Amp bushing inserts, junctions and operating accessories.
- Fully shielded, fully submersible molded rubber housing.
- 100% peroxide cured construction includes insulation and conductive EPDM materials.
- Non-corrosive, capacitively coupled voltage test point provision with removable protective cap.
- Provision for hotstick operation.
- Provision for ground wire connection.
- Wide cable range with minimum number of sizes.
- Bi-metal and all-copper compression lugs are available.

Ratings Per ANSI/IEEE Standard 386	
Description	Rating
Standard Voltage Class	25 kV
Maximum Rated Voltage Phase-to-Phase	26.3 kV
Maximum Operating Voltage Phase-to-Ground	15.2 kV
BIL and Full Wave Crest (1.2 x 50 μs wave)	125 kV
60Hz AC One Minute Withstand (rms)	40 kV
DC 15 Minute Withstand	78 kV
AC Corona Extinction @ 3p.C.sensitivity	19 kV
Continuous Current (rms)	200 A
Switching/Loadbreak current (rms)	200 A
Fault Closure at 26.3 kV for 0.17 s after 10 switching operations (rms)	10kA sym
Short Time Current Rating at 0.17 s (rms)	10kA sym



25kV 200A Loadbreak Connector

Product Series:
2LBE



Ordering Instruction:

Step 1:

Specify 2LBE1 (with test point) or 2LBE0 (without test point).

Step 2 (From Table H):

Based on the outside diameter of the insulation of the cable being used, select the insulation range code that best fits that insulation diameter from the Housing Size Code Table below.

Step 3 (From Table C):

Choose the proper compression lug code according to the conductor size from Conductor Code Table below. The standard connector supplied is a copper top with an aluminum barrel bi-metal connector. All copper connectors are also available.

Ordering Instruction:

2LBE [] [] []

Table H

Test Point	
with	1
without	0

Cable Insulation Dia. Range		Housing Size Code
mm	Inches	
19,3 - 24,1	0.76 - 0.95	H02
21,6 - 26,7	0.85 - 1.05	H03
24,9 - 30,0	0.98 - 1.18	H04
27,7 - 33,3	1.09 - 1.31	H05

Table C

AWG/MCM		IEC	Cond. Code	
STR	COMP	mm ²	Bi-Metal	Cu
3	2	25	B04	C04
2	1	35	B05	C05
1	1/0	38/50	B06	C06
1/0	2/0	60	B07	C07
2/0	3/0	70	B08	C08
3/0	4/0	95	B09	C09
4/0	250	120	B10	C10

Ordering Example:

The catalog number for a 25kV, 200A loadbreak elbow connector with test point for a 4/0 stranded, 175 mil insulated cable with an insulation diameter of 0.94" (23.4 mm) is 2LBE1H03B10. For an all-copper compression lug for use on copper cable only, substitute C10 for B10 in the compression lug code. The catalog number would be 2LBE1H03C10.

Table R

Replacement Compression Lug Number				
AWG/MCM		IEC	Cond. Code	
STR	COMP	mm ²	Bi-Metal	Cu
3	2	25	LACB04	LACC04
2	1	35	LACB05	LACC05
1	1/0	38/50	LACB06	LACC06
1/0	2/0	60	LACB07	LACC07
2/0	3/0	70	LACB08	LACC08
3/0	4/0	95	LACB09	LACC09
4/0	250	120	LACB10	LACC10

Each CableMate 2LBE loadbreak elbow connector kit contains the following:

Description

- 1 – Elbow connector housing
- 1 – Bi-metal compression lug

- 1 – Probe
- 1 – Probe wrench
- 1 – Lubricant packet
- 1 – Installation instruction
- 1 – Crimp chart

Catalog Number

- 2LBE0H w/o test point, 2LBE1H w/ test point
- LACBxx (determine xx from the conductor Code Table)
- 2LBEPR
- 2LBEWR
- SLG